

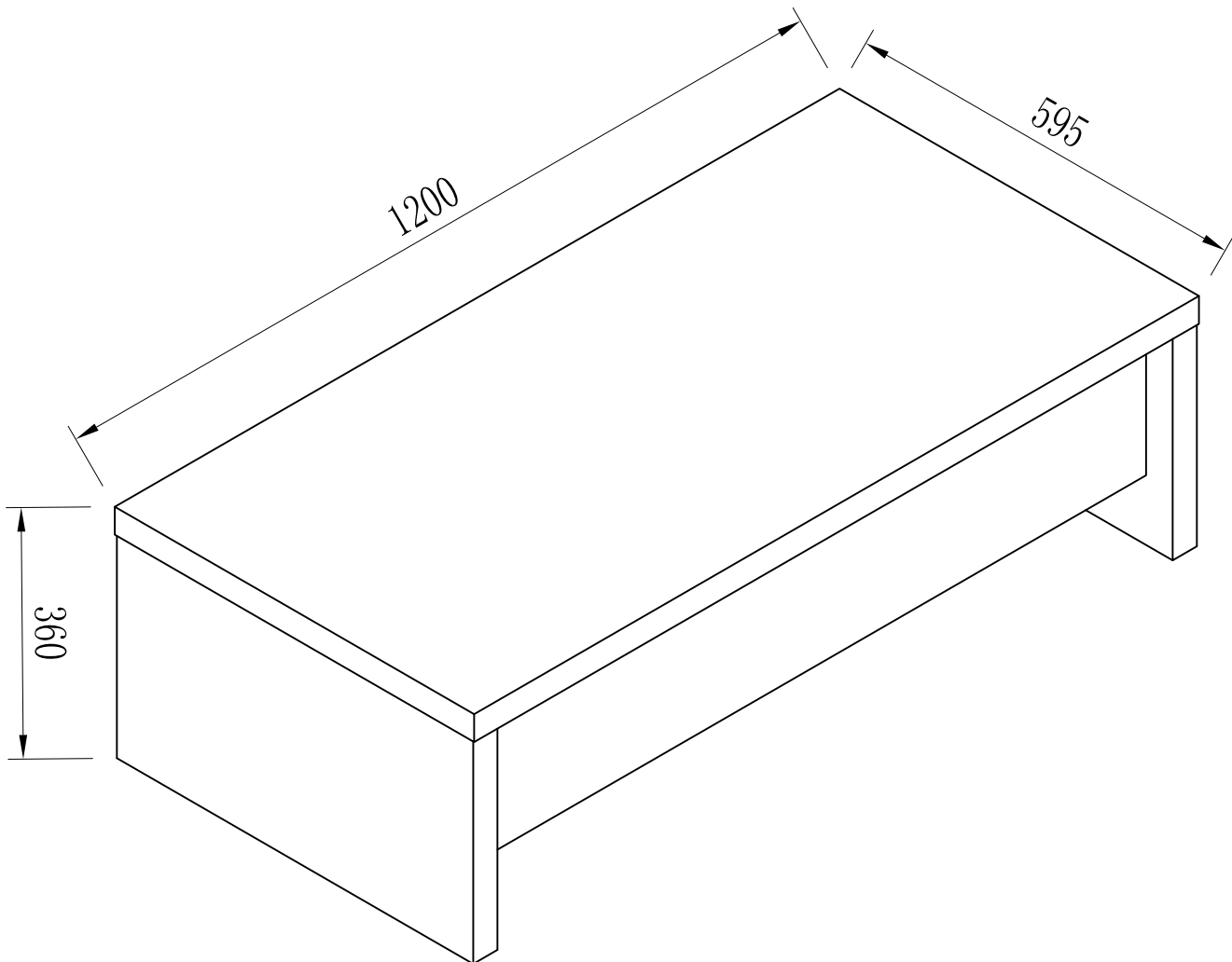


ASSEMBLY INSTRUCTION
HEBEN LIFT TOP COFFEE TABLE
ITEM CODE 66271

Imported by Amart Furniture Pty Ltd. Qld. Brisbane Australia.

For any assistance with assembly or for missing parts please phone

Amart Furniture, Customer Service Free call 1800 351 084



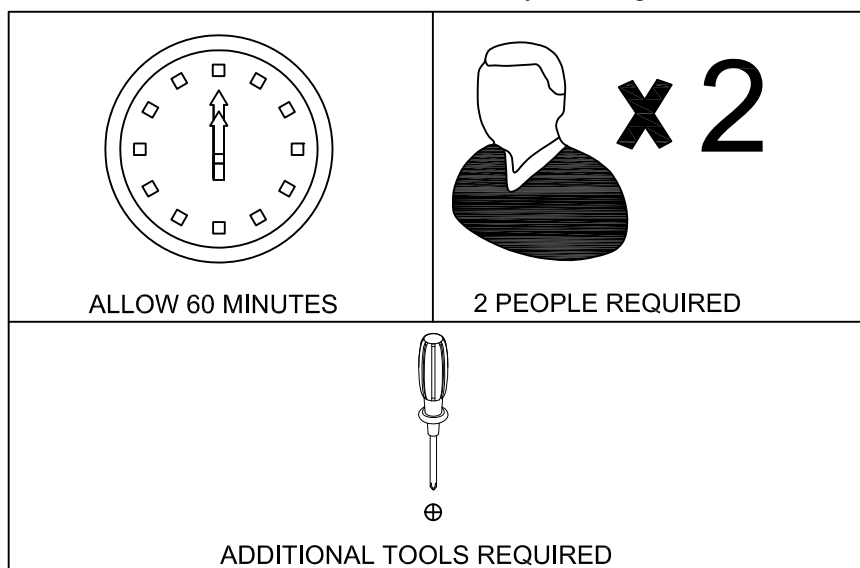
Imported by Amart Furniture Pty Ltd. Qld. Brisbane Australia.

For any assistance with assembly or for missing parts please phone Amart Furniture
Customer Service Free call 1800 351 084

PRE-ASSEMBLY PREPARATION

Before you start:

1. Choose a clean, level, spacious assembly area. Avoid hard surfaces that may damage the product
2. Take care when lifting. Product should be assembled as near as possible to the point of use
3. Ensure that you have all required contents for complete assembly.
4. Always read the assembly instructions carefully before beginning assembly.
5. Keep all hardware parts and packaging out of reach of small children.
6. Do not over tighten the screws and bolts as this may damage the threads



WARNING

Do not allow children to play on this mechanised furniture or operate the mechanism. Children should always be supervised when using furniture. Always ensure that the locking mechanism is utilised during the operation of this furniture. Please keep your body clear of the mechanism and coffee table top when opening and closing – a failure to do this could result in serious injury.

CAM Lock and Pins

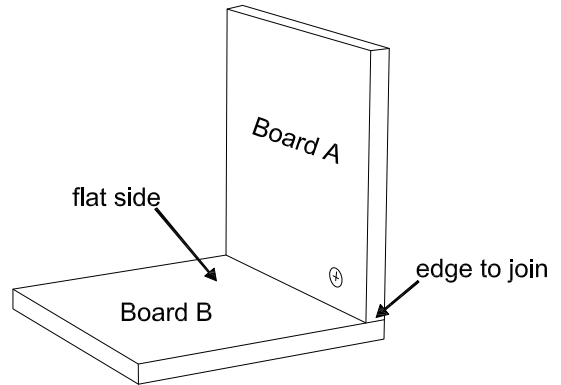
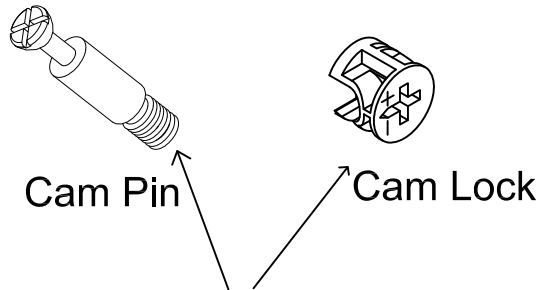
Step 1

HOW TO USE CAM LOCK FASTENERS

To assemble this product hardware called Cam Lock Fasteners are used.

The below is information on how these work.

Cam Locks are fasteners used to join two boards together, usually the edge of one board(A) to the flat side of another board(B)



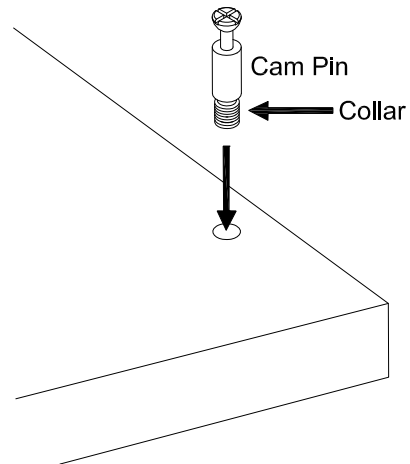
Ensure that you use the correct images that are representative of the hardware used in the product

Step 2

To use Cam Lock Fasteners

The Cam Pin is inserted into the flat side of a board, it is important that:

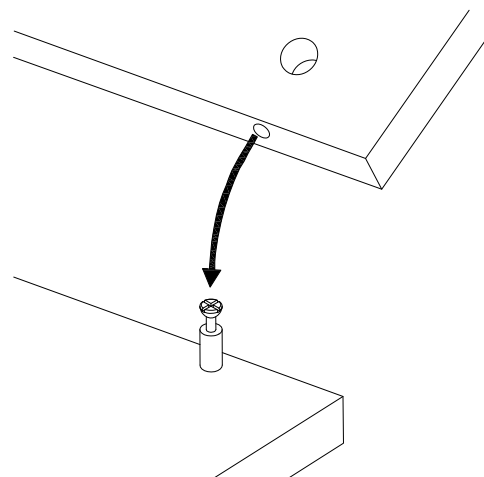
- * The cam pin is kept vertical and is not put in on an angle
- * Cam Pin is inserted up to the collar
 - * Too far and it wont catch the Cam Lock (Do not Over Tighten)
 - * Not enough and the resulting product wont be stable



Step 3

To use Cam Lock Fasteners

Now fit the hole in the edge of the joining board over the Cam Pin

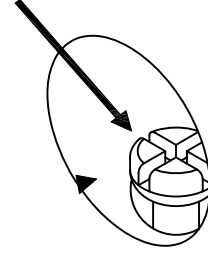


Step 4

To use Cam Lock Fasteners

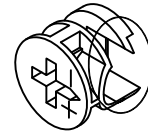
The Head of the Cam Pin will be visible in the large hole on the side of the joining board

head of the Cam Pin



To use Cam Lock Fasteners

Notice the Cam Lock has a "C" Shaped back An Arrow or +/- signs on the front, indicated the open section on the back of the Cam Pin



Cam Lock

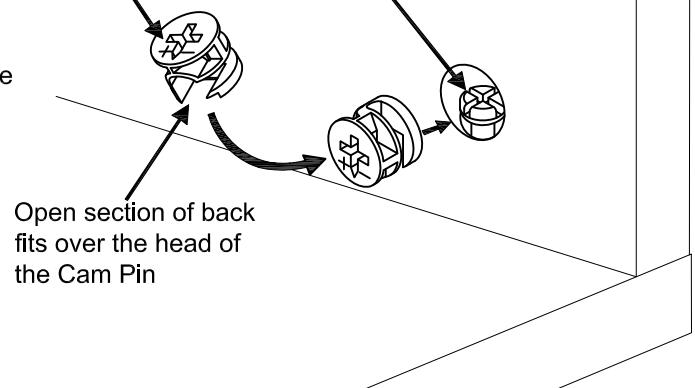
Step 5

To use Cam Lock Fasteners

In sert the Cam Lock into the large hole so the opening of the "C" fits over the head of the Cam Pin. You must ensure that the Cam Lock is pushed to the bottom of the hole to catch the top of the Cam Pin

Arrow or +/- signs

head of the Cam Pin

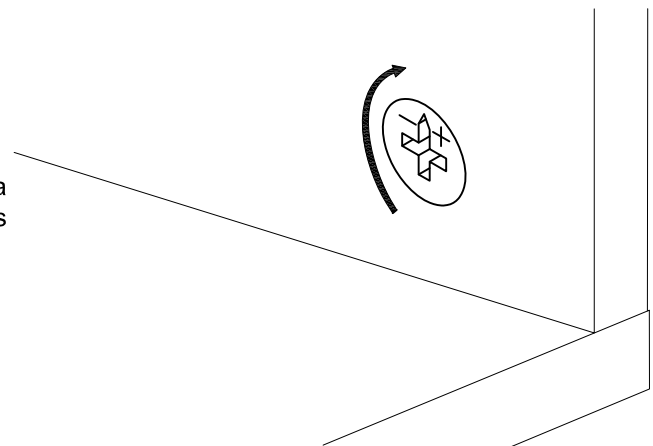


Open section of back fits over the head of the Cam Pin

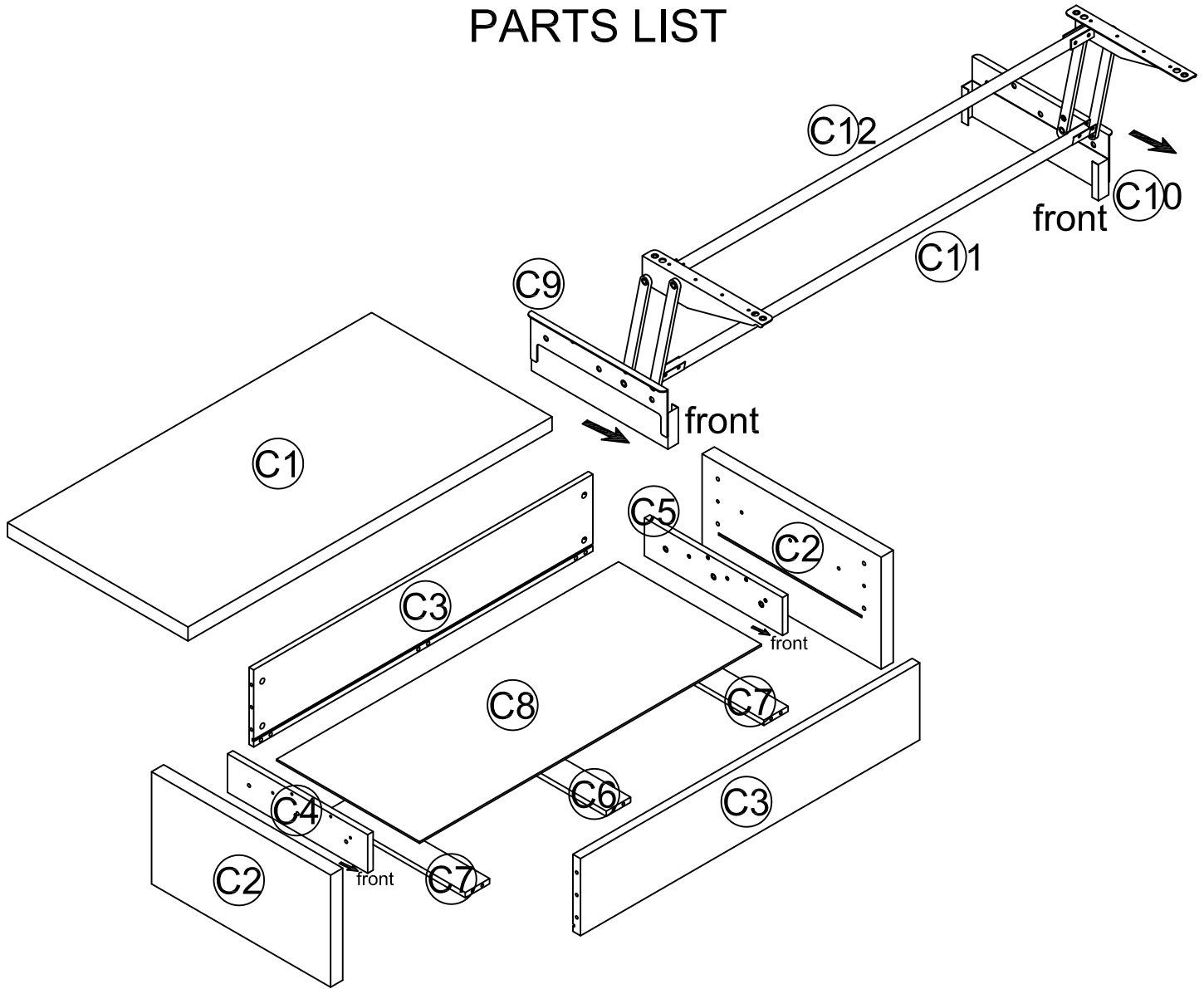
Step 6

To use Cam Lock Fasteners


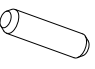


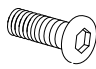
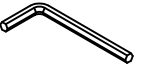

Use a flat screwdriver to turn the Cam Lock clockwise one half a turn so it Locks onto the head of the Cam Pin. Turn only until it is snug-over-tightening could cause the Cam to bend or break. If it will not turn the full amount, turn the Cam Pin out (counter-clockwise) one full turn, and try the Cam Lock again.



PARTS LIST

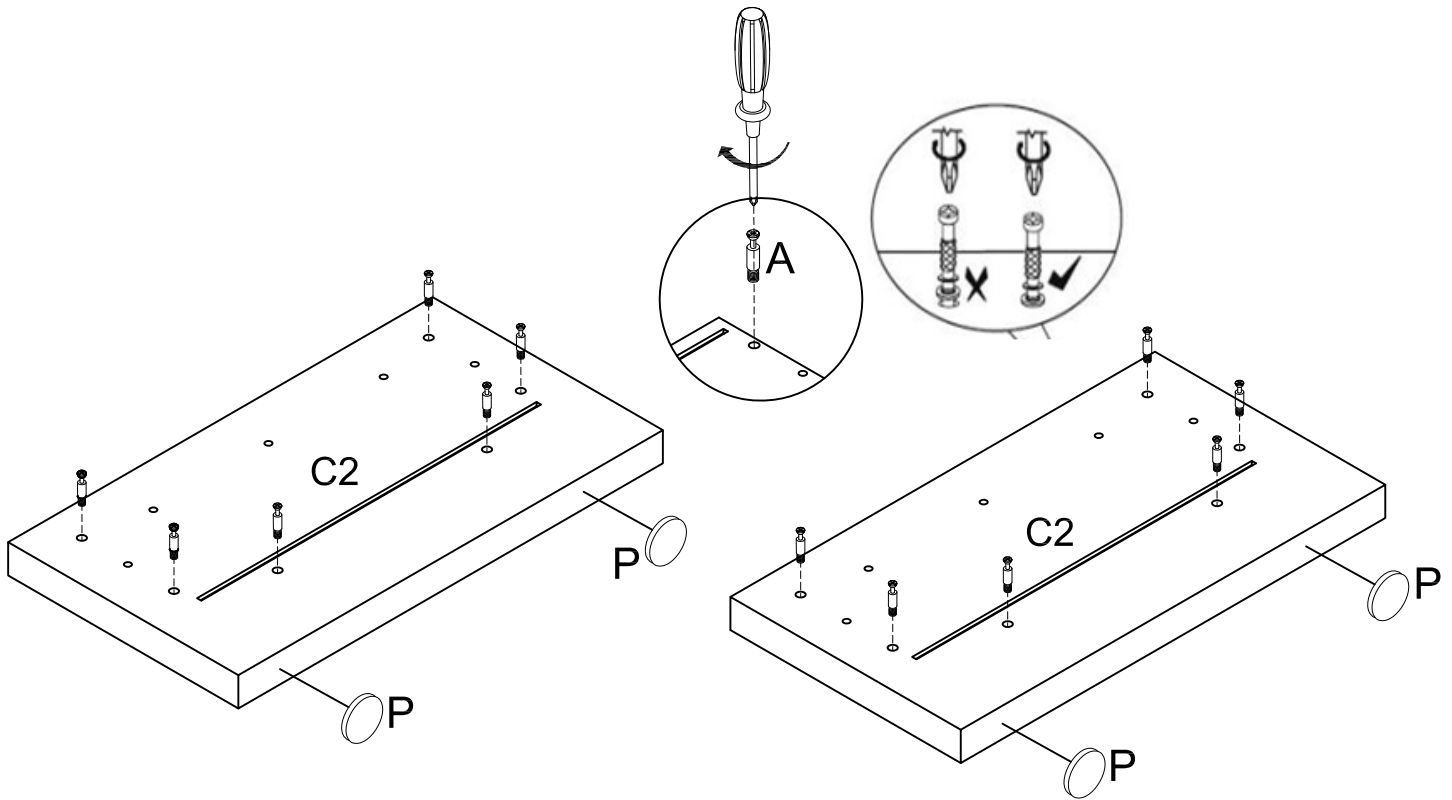


C1	Top Panel	C7	Bottom Support Panel
C2	Side Panel	C8	Bottom Panel
C3	Back Panel/Front Panel	C9	Left Side Lift Mechine
C4	Left Inside Panel	C10	Right Side Lift Mechine
C5	Right Insid Panel	C11	Long Connect Tube
C6	Bottom Support Panel	C12	Short Connect Tube

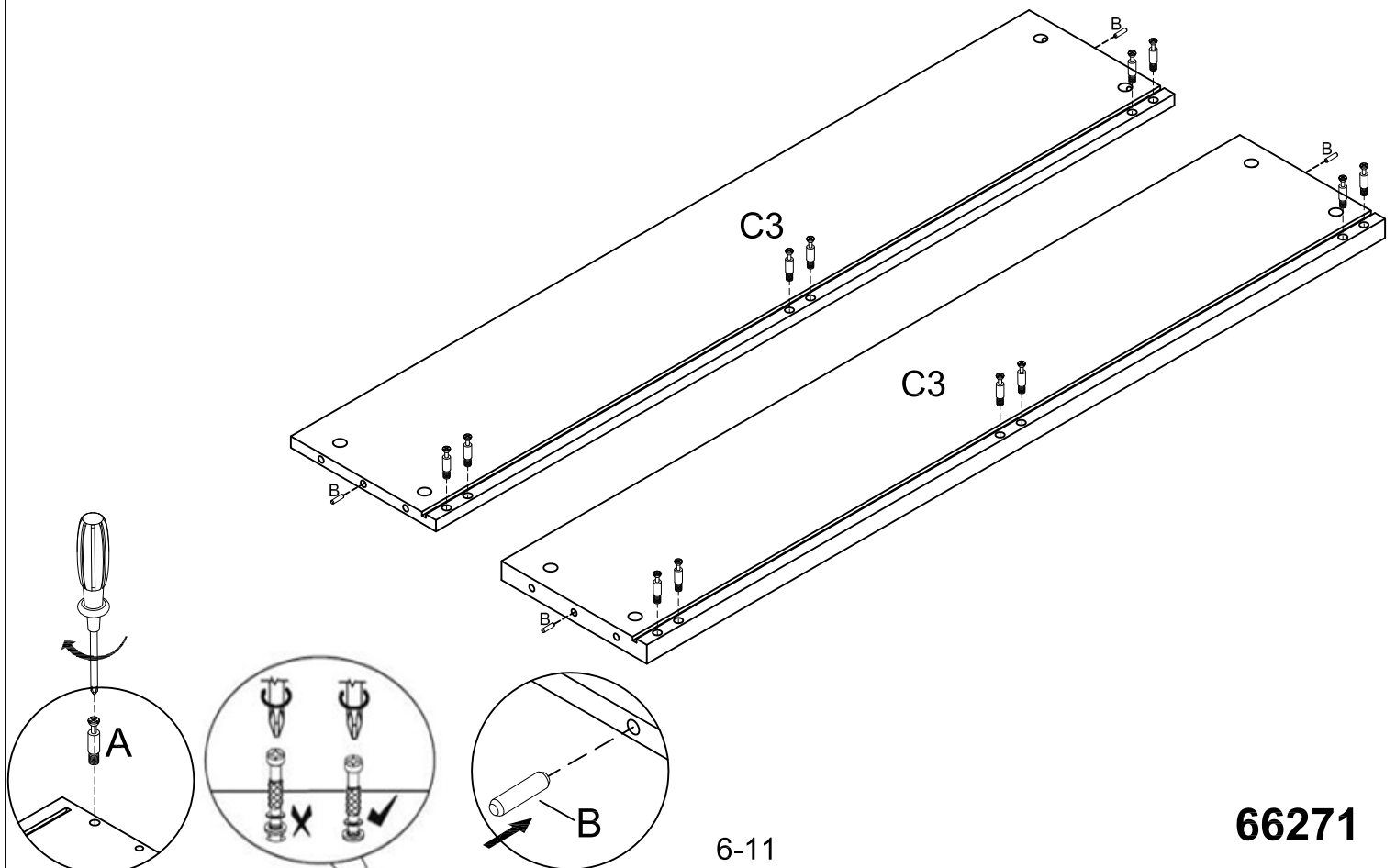
A.Cam lock and Cam pin Ø15X32	B.Dowel Ø8X30	C.Screw Ø4X16	D.Cover Ø20	E.Bolt Ø6x35	O.Hex Key 4MM	P.Protect foam Ø35
						
24PCS	4PCS	18PCS	10PCS	6PCS	1PCE	4PCS

66271

STEP 1. Use a Phillips Head Screwdriver to Insert the Cam Pin (A) to Side Panel (C2), Stick the Protect Foam (P) on the bottom of Side Panel (C2).

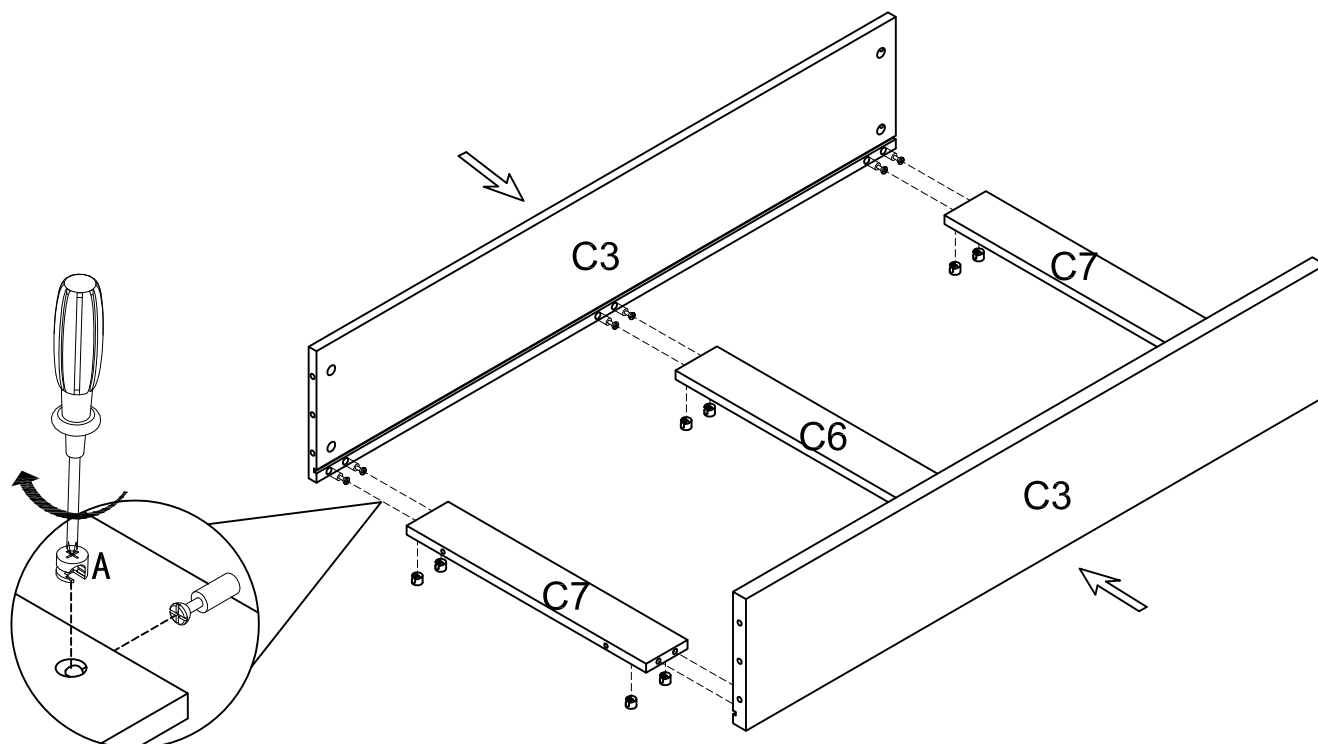


STEP 2. Use a Phillips Head Screwdriver to insert the Cam Pin (A) to the Back Panel/Front Panel (C3). Insert the Dowel (B) to the Back Panel/Front Panel (C3).

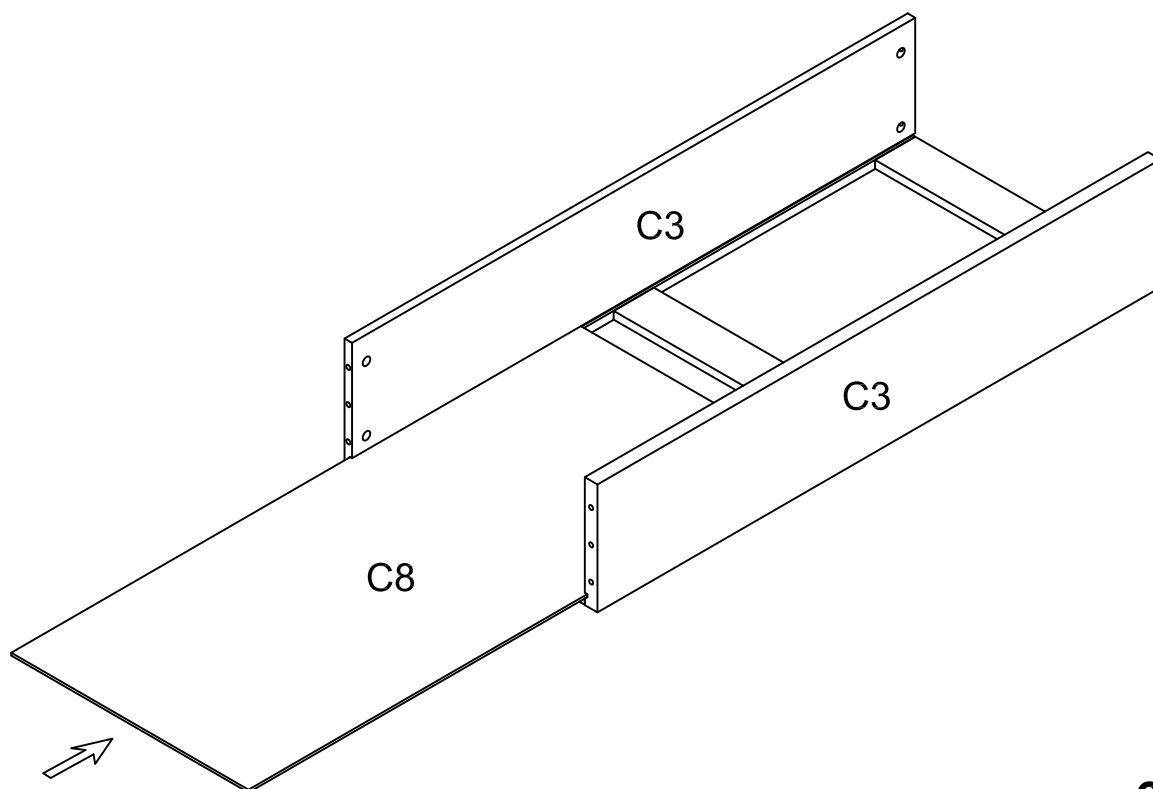


66271

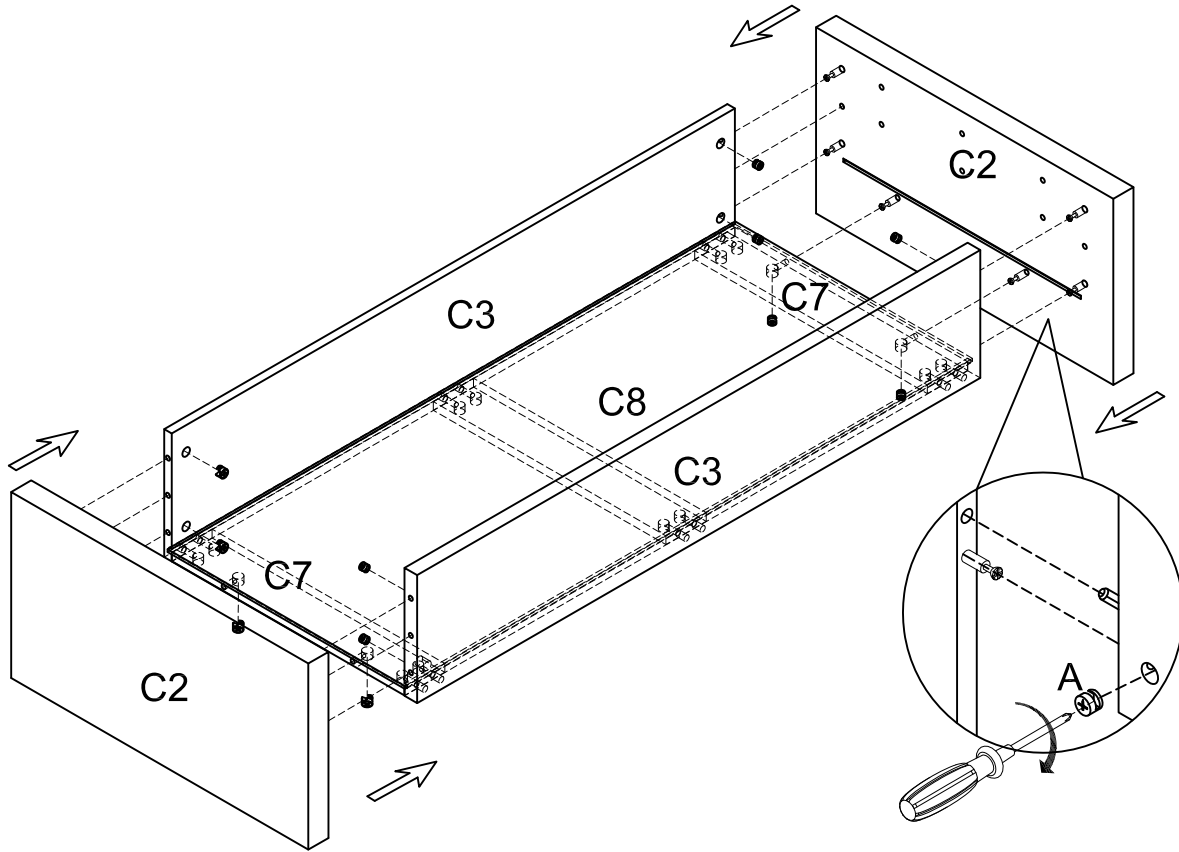
STEP 3. Assemble the Bottom Support Panel (C6,C7) to the Back Panel/Front Panel(C3) ,Use a Phillips Head Screwdriver to turn the Cam Lock (A) to lock onto the head Cam Pin (A).



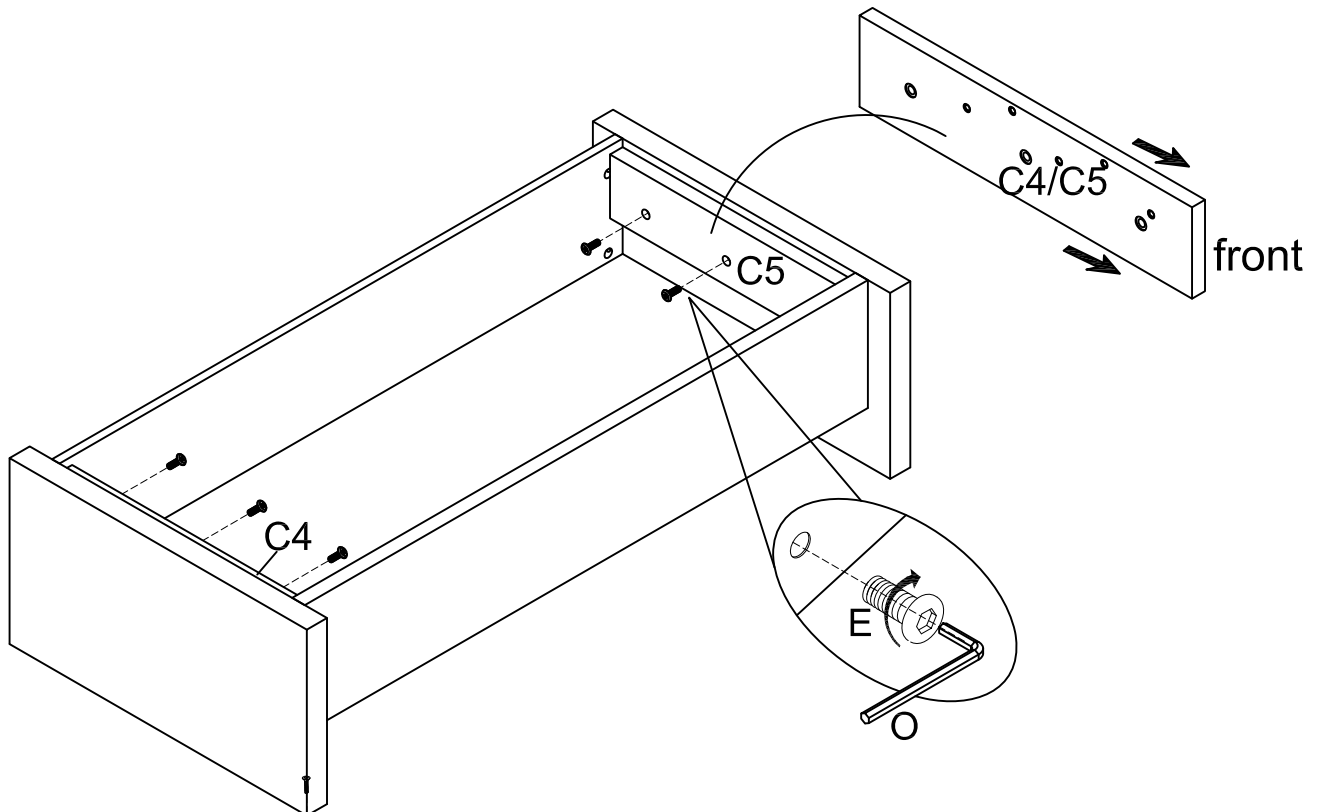
STEP 4. Insert the Bottom Panel (C8) to the Back Panel/Front Panel (C3).



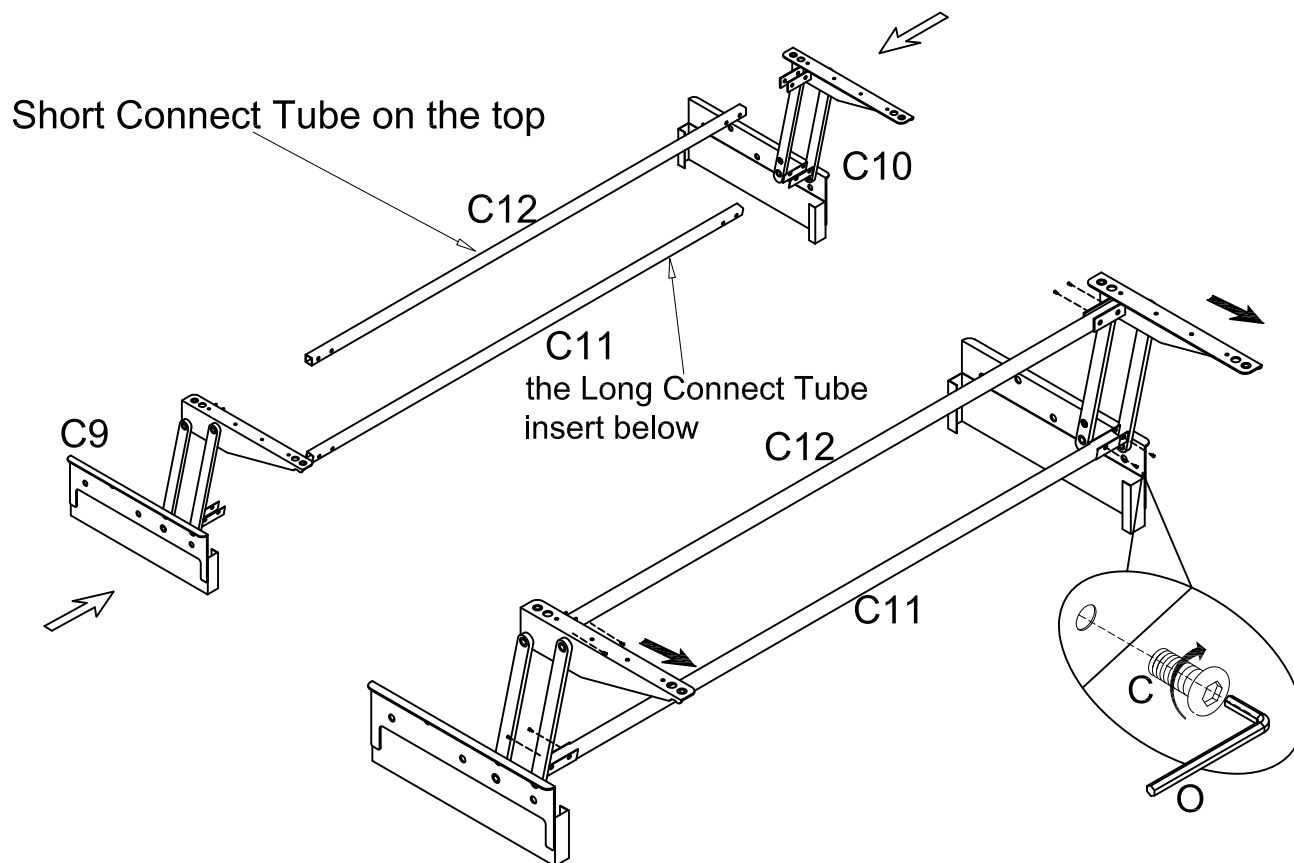
STEP 5. Assemble the Side Panel (C2) to the Back Panel/Front Panel (C3) and Bottom Support Panel (C7), Use a Phillips Head Screwdriver to turn the Cam Lock (A) to lock onto the head Cam Pin (A).



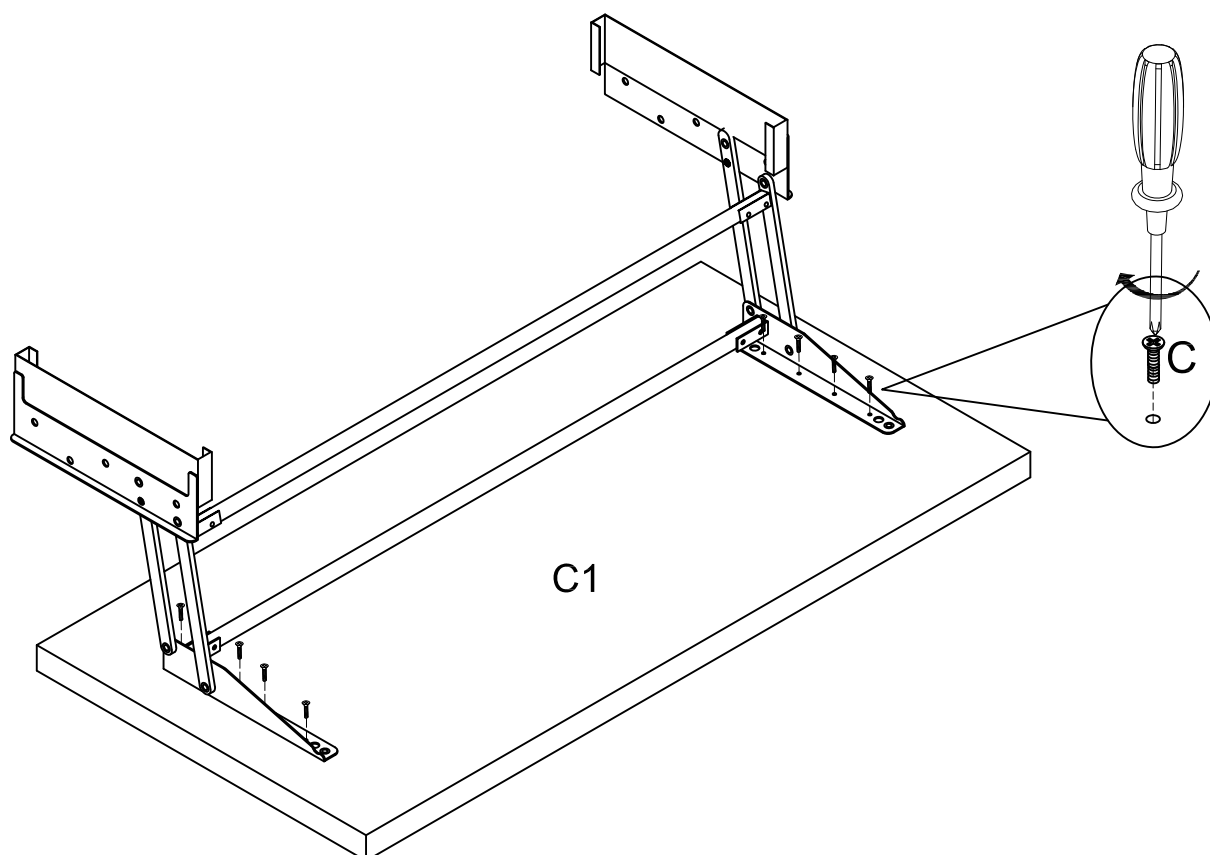
STEP 6. Use a Hex Key (O) to assemble the Left Inside Panel (C4) and Right Inside Panel (C5) to the Side Panel (C2) with Bolt (E).



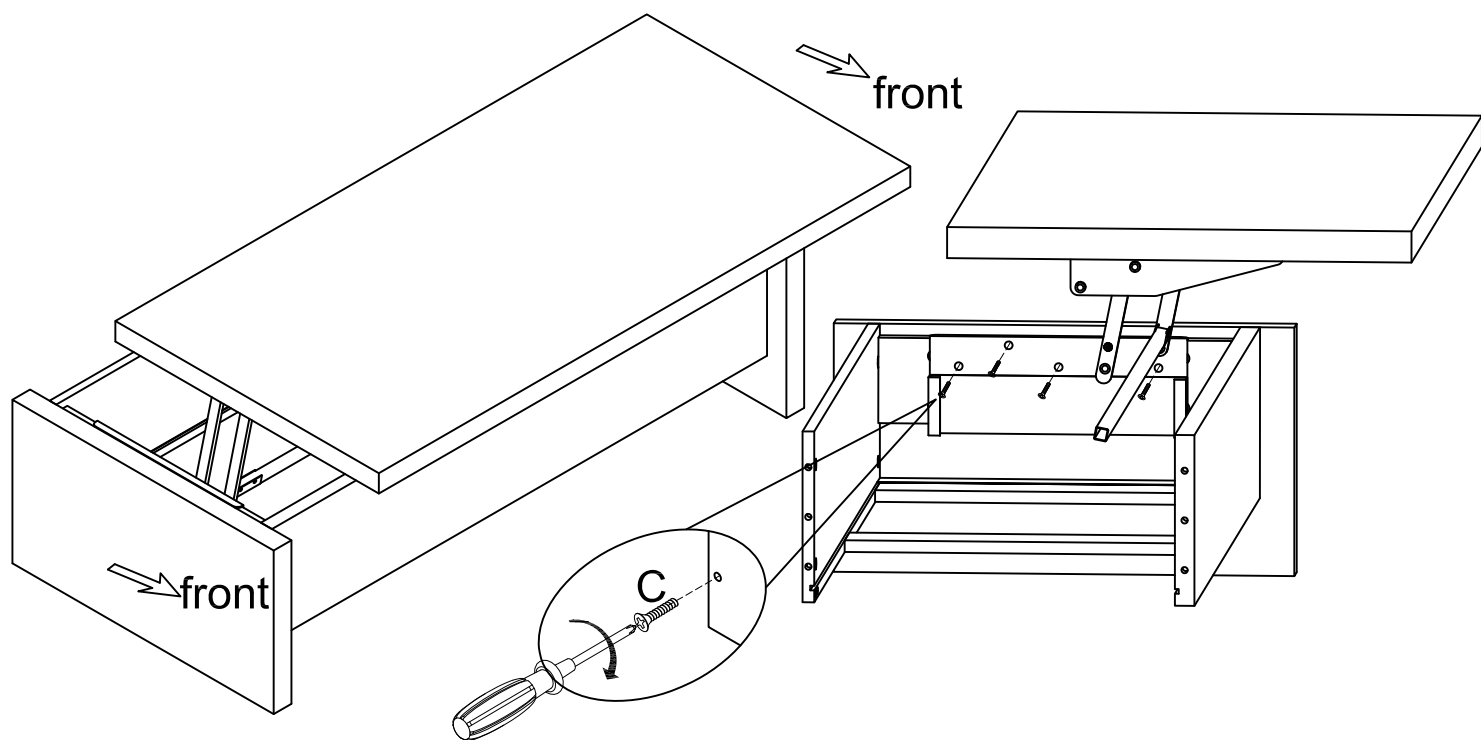
STEP 7. Use a Hex Key (O) to assemble the Connect Tube (C11,C12) to the Left Side Lift Mechine (C9) and Right Side Lift Mechine (C10) with Bolt (C).



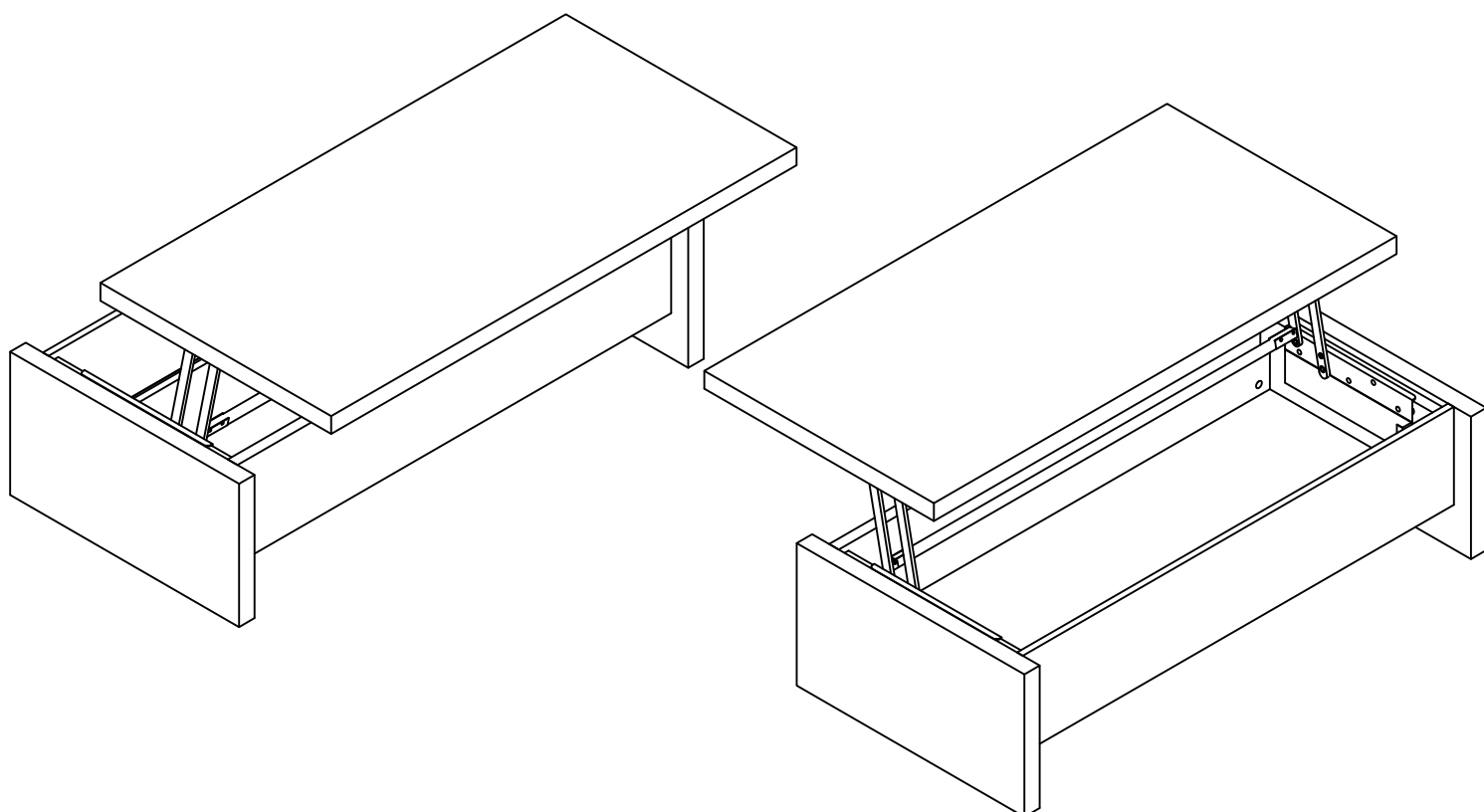
STEP 8. Use a Phillips Head Screwdriver to assemble the Left Side Lift Mechine (C9) and Right Side Lift Mechine (C10) to the Top Panel (C1) with Bolt (C).



STEP 9. Use a Phillips Head Screwdriver to assemble the Left Side Lift Mechine (C9) and Right Side Lift Mechine (C10) to the Side Panel (C2) with Bolt (C).

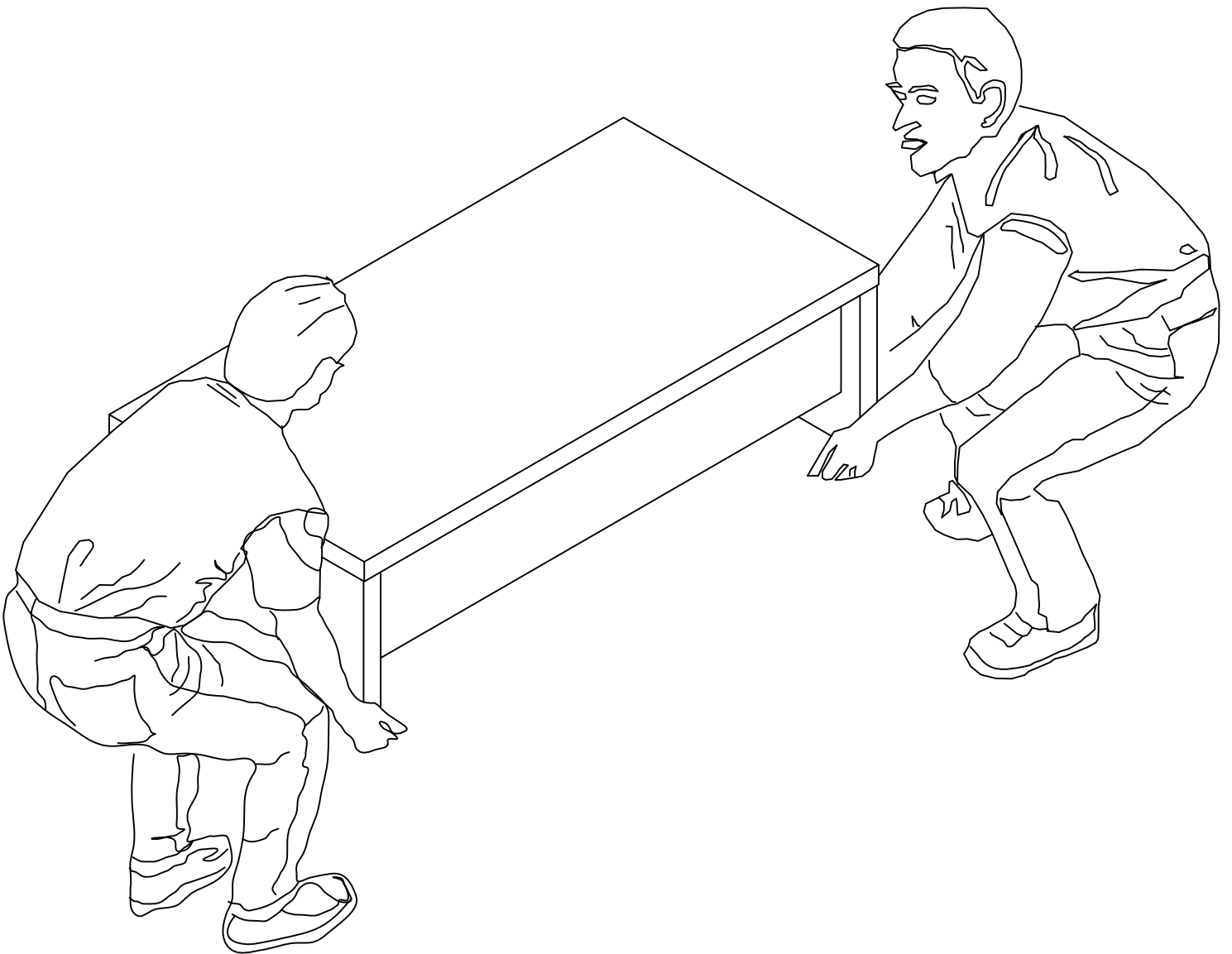


Assembly is complete



Note -

Do not drag the furniture as this may cause damage to the legs. Instead, use 2 persons to lift carefully from either end.



IMPORTANT: CARE GUIDE FOR YOUR HI-GLOSS FURNITURE

Congratulations! You have just purchased a quality product from Amart Furniture, Australia's largest discount furniture retail store. Please read on for important information regarding your purchase...

Hi-gloss lacquered furniture is more sensitive to marks and scratching than some other furniture products. It is important to exercise caution and care to maximise the life and beauty of this product.

Following the below simple guidelines when using your hi-gloss product will protect your investment for years to come:

- Dust frequently with a clean damp, lint-free cloth. This will help remove abrasive build up which can damage a finish over time.
- Avoid using chemicals or solvents when cleaning the product.
- Do not place hot objects on any furniture surface. Always use a hot plate or placemat. Lacquer finishes provide added scratch and heat resistance to our furniture, but they can still be damaged without proper care.
- Avoid exposing your furniture to strong sunlight. Prolonged exposure to direct sunlight can fade the finish of your furniture.
- Do not expose your furniture to any liquids. Avoid allowing water to sit on your furniture. Alcohol, nail polish and perfume are particularly harmful as they will dissolve the lacquer finish on contact.
- Do not allow plastic to come in direct contact with your furniture. Chemicals in the plastic of some placemats etc may soften and mark the finish if left in contact with the furniture for a period of time.
- Avoid placing sharp or rough objects on the surface of your furniture. These may scratch the surface of the product.
- When moving your furniture, do not drag it across the floor. This may damage the product. Instead use two people to lift carefully with caution from either end.